

# 20 SERIES HC20WB4R2



## 4MP IP WDR IR MFZ Bullet Camera



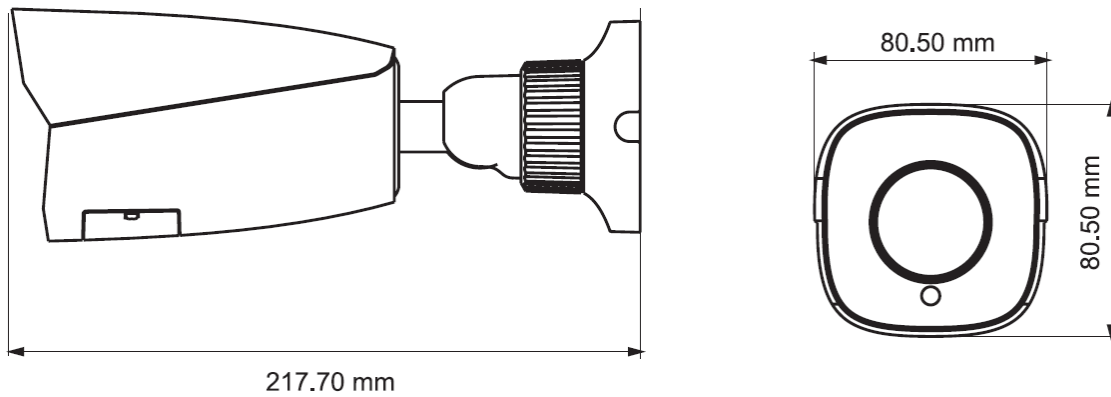
OPERATIONAL		AUDIO	
Video Standard	NTSC/PAL	Audio Compression	G.711A/G.711U
Scanning System	Progressive	Audio Stream	1-way
Image Sensor	1/3" CMOS	Audio Interface	1CH audio input
Number Of Pixels (H x V)	2560x1440	NETWORK	
Minimum Illumination (Color/BW)	0.005 lux @F1.6, AGC ON; 0 lux with IR	Ethernet	10 Base-T/100 Base-TX Ethernet (RJ-45)
S/N Ratio	≥50db	Supported Web Browsers	Chrome/Edge
Electronic Shutter Speed	1/2s ~ 1/100,000s	Supported OS	Microsoft Windows 10
IR Distance	30 ~ 50 m	Protocols*	IPv4, IPv6, TCP / IP, UDP, DHCP, NTP, RTSP, RTP, RTCP, PPPoE, DNS, DDNS, SMTP, FTP, 802.1x, SNMP, UPnP, HTTP, HTTPS, QoS, IGMP / Multicast, ICMP, ARP, TLS
IR Light Control	Smart IR (Auto/Manual)/OFF	Interoperability	ONVIF Profile G/S/T
Day/Night	ICR	Maximum Users Access	3 Users
Backlight Compensation	WDR, HLC, BLC	Security	User account and password protection, HTTPS, IP Filter, Digest authentication, TLS1.2 only, AES128 / 256, SSH / Telnet closed
White Balance	Auto/Indoor/Outdoor/Manual	Languages Supported	English, Italian, Portuguese, Russian, Spanish(Mexico), Dutch, French, German, Polish, Japanese, Chinese, Korean
Gain Control	Auto/Manual	EVENTS / ANALYTICS	
Wide Dynamic Range	120dB	Built-in Video Analytics	Motion Detection, Video Exception (scene change, video blur and video cast detection), line crossing detection and region intrusion detection
Noise Reduction	3D DNR	Region Of Interest	8
Lens	2.8~12mm@ F1.4	ELECTRICAL	
Angle Of View	H:92°~31°, V:48°~17.2°	Power Supply	12VDC, PoE (IEEE 802.3af) (Class 3)
Privacy Masking	Off / On (4 Areas)	Power Consumption (Max)	MAX 8W
Local Storage	Micro SD (up to 256 GB)	MECHANICAL	
VIDEO		Dimensions (D x D x H)	Ø 217.8 mm x 80.5 mm x 80.3 mm (Ø 8.57" x 3.16" x 3.16")
Video Compression	Main stream: H.265 / H.264 Sub stream: H.265 / H.264 / MJPEG Third stream: H.265 / H.264 / MJPEG	Product Weight	0.66 kg (1.45lb)
Resolution	4MP (2560 x 1440), 3MP (2304 x 1296), 1080P (1920 x 1080), 720P (1280 x 720), D1, 480x 240, CIF	Package Weight	0.76 kg (1.67lb)
Number of Video Streams	3	Body Material	Metal housing
Frame Rate Main Stream	60Hz: 4MP/3MP/1080P/720P(1~30fps); 50Hz: 4MP/3MP/1080P/720P(1~25fps)	ENVIRONMENTAL	
Frame Rate Second Stream	60Hz: 720P/D1/CIF (1~30fps); 50Hz: 720P/D1/CIF (1~25fps)	Operating Temperature	-30 °C ~ 60 °C (-22°F~140°F)
Frame Rate Third Stream	60Hz: D1/480x 240/CIF (1~30fps); 50Hz: D1/480x 240/CIF(1~25fps)	Relative Humidity	Less than 90% (non-condensing)
Bit Rate	64 Kbps ~ 8 Mbps		

**Honeywell**

Ingress Protection	IP67	<b>SYSTEM COMPATIBILITY</b>	
Impact Resistance	IK10	20 Series NVR	Integration with 20 Series NVR
<b>REGULATORY</b>		35 Series NVR	Integration with 35 Series NVR
Emissions	EN 55032, FCC PART 15	*Refer to the NVR integration matrix for more information.	
Immunity	EN 55035		
Safety	IEC 60950-1, IS 13252(Part 1)		
RoHS	IEC 62321		

## 20 SERIES 4MP IP WDR IR MFZ BULLET CAMERA

### DIMENSIONS



<b>ORDERING</b>	
HC20WB4R2	4 MP IR MFZ Bullet Camera, WDR 120dB, 2.8-12 mm, PoE, DC12V, Audio In, IK10 Casing

**For more information, please contact:**  
 buildings.asean@honeywell.com

**Malaysia (ASEAN Headquarters)**  
 Honeywell International Sdn. Bhd.  
 Level 25, UOA Corp Tower B, Avenue 10,  
 The Vertical, Bangsar South City,  
 59200, Kuala Lumpur, Malaysia

www.honeywell.com



ONVIF and the ONVIF logo are trademarks of ONVIF Inc. HEVC Advance logo is a trademark of HEVC Advance. Honeywell reserves the right, without notification, to make changes in product design or specifications.

HC20WB4R2-01-ASEAN(0823)  
 © 2023 Honeywell International Inc.

**THE  
 FUTURE  
 IS  
 WHAT  
 WE  
 MAKE IT**

**Honeywell**