

# PERFORMANCE LITE IP SD CAMERAS

## 2MP IP IR BULLET CAMERA

### HIB2PI-S3 / HIB2PIV-S3

Honeywell's new Performance Lite IP camera series is aimed to provide high quality surveillance as an affordable offering for the small and medium businesses which include small retail shops, gyms, schools, residential homes, etc.

The new series includes 2MP IR cameras, with SD card slot, in both eyeball and bullet configurations and variable lens options, HIB2PI-S3 / HIB2PIV-S3, cater to all kinds of customer applications. The cameras come with IR LEDs to provide best in class, effective and efficient surveillance even during the night. The cameras are IP67 rated which makes them resilient for any outdoor applications as well.



Sensor



Min.  
Illumination



DWDR



Motion  
Detection



Day & Night



AWB



POE



Water-proof



Figure 1: HIB2PI-S3



Figure 2: HIB2PIV-S3

### KEY FEATURES

- 2MP, Resolution: 1920 × 1080, H.265 codec compression
- Up to 50 m IR Range
- 3 Region of Interest
- ICR auto switch, True Day / Night (TDN),
- 3D DNR, Digital WDR, HLC, BLC, Defog
- Best in segment Lux levels
- 1CH audio input; Hardware reset
- Built-in microSD card slot (up to 128GB)
- IP 67 certified
- Supports dual streams
- Support mobile surveillance by smart phones with iOS and Android OS access through Honeywell NVR.

# PERFORMANCE LITE IP SD CAMERAS 2MP IP IR BULLET CAMERA

## SPECIFICATIONS

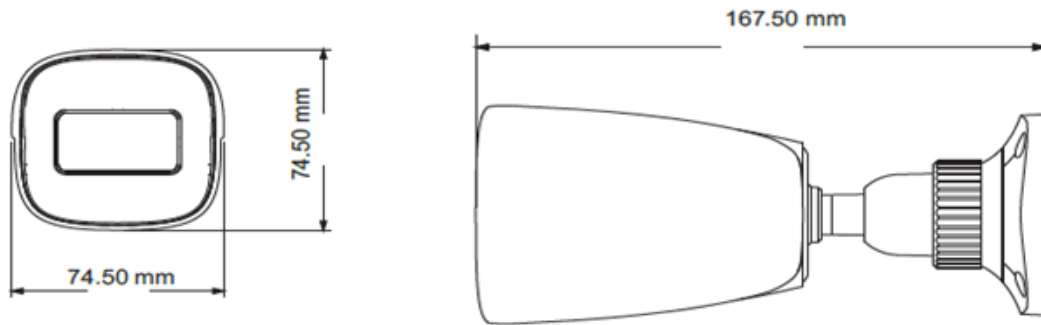
CAMERA	HIB2PI-S3	HIB2PIV-S3
Image Sensor	1 / 2.9"CMOS	
Number of Pixels (H x V)	1920 x 1080	
Electronic Shutter	1/25s ~ 1/ 100000s	
Iris	Fixed Iris	
Min Illumination	0.0035 lux@F1.2,AGC ON; 0 lux with IR 0.013 lux@F2.0,AGC ON; 0 lux with IR	0.0035 lux@F1.2,AGC ON; 0 lux with IR 0.013 lux@ F2.31,AGC ON; 0 lux with IR
Lens	3.6 mm @F2.0, (fixed lens), Horizontal Field of View: 84.8°	2.8~12mm@F1.4, Horizontal Field of View: 88°~34.8°
Day & Night	TDN	
Wide Dynamic Range	Digital WDR	
IMAGE		
Video Compression	H.265 / H.264 / MJPEG	
Resolution	1080p, 720p, D1, CIF	
Number of Streams	2 (Main Stream, Sub Stream)	
Frame Rate	Main Stream:60Hz: 1080P (1 ~ 30fps) / 720P (1 ~ 30fps) 50Hz: 1080P (1 ~ 25fps) / 720P (1 ~ 25fps) Sub Stream:60Hz: D1/CIF/480x240 (1~30fps); 50Hz: D1/CIF/480x240 (1~25fps)	
Bit Rate	64 Kbps ~ 6Mbps	
Encode Mode	CBR / VBR	
Image Settings	ROI, Saturation, Brightness, Chroma, Contrast,Wide Dynamic, Defog, Sharpen, NR,etc. adjustable through client software or web browser	
ROI	3, Each ROI to be configured separately.	
INTERFACES		
Network	RJ45	
FUNCTIONS		
Remote Monitoring	Web browsing, CMS remote control	
Online Connection	Support simultaneous monitoring for up to 3 users; Support multi-stream real time transmission	
Network Protocol	UDP, IPv4, IPv6, DHCP, NTP, RTSP, PPPoE, DDNS, SMTP, 802.1x, UPnP, HTTPS, HTTP, QoS	
Interface Protocol	ONVIF	
Motion Alarm	Supported, Motion detection, SD card full, SD card error	
IR Distance	20 – 30 m	30 – 50 m
IP Rating	IP67	

# PERFORMANCE LITE IP SD CAMERAS 2MP IP IR BULLET CAMERA

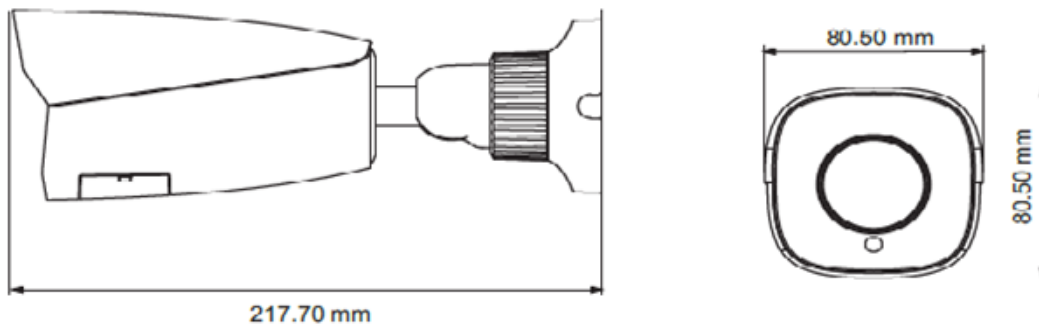
OTHERS		
Power Supply	DC 12V / PoE	
Power Consumption	<5.5 W	<7.5 W
IR Consumption ON	<2 W	<4W
Operating Temperature	-30 deg C to 60 deg C, Humidity:<95% (non-condensing)	
Dimensions (mm)	167.5 × 74.5 × 74.5	217.7 × 80.5 × 80.5
Weight	Approx. 0.39KG	Approx. 0.65KG
Certifications	BIS, CE, FCC	

## DIMENSIONS

### HIB2PI-S3



### HIB2PIV-S3



# PERFORMANCE LITE IP SD CAMERAS 2MP IP IR BULLET CAMERA

## ORDERING INFORMATION

ORDER CODES	DESCRIPTION
HIB2PI-S3	1/2.9" CMOS Sensor, 2 MP Fixed lens, SD slot, TDN, DWDR, 3.6 mm, 12 VDC / PoE
HIB2PIV-S3	1/2.9" CMOS Sensor, 2 MP Varifocal lens, SD slot, TDN, DWDR, 2.8 - 12 mm, 12 VDC / PoE

For more information, please contact:  
buildings.asean@honeywell.com

**Malaysia (ASEAN Headquarters)**  
Honeywell International Sdn. Bhd.  
Level 25, UOA Corp Tower B, Avenue 10  
The Vertical, Bangsar South City,  
59200, Kuala Lumpur, Malaysia