

PERFORMANCE SERIES

HBW4PER1V



Network WDR 4MP IR Bullet Camera






OPERATIONAL	
VIDEO STANDARD	NTSC/PAL
SCANNING SYSTEM	Progressive
IMAGE SENSOR	1/3" 4 Megapixel progressive CMOS
NUMBER OF PIXELS (H × V)	2688 (H) × 1520(V)
MINIMUM ILLUMINATION	0.005ux/F1.6(color,30IRE), 0 Lux with IR ON
S/N RATIO	More than 55dB
ELECTRONIC SHUTTER SPEED	1/3~1/100000s
IR DISTANCE	Up to 50m (164ft), depending on scene reflectance
IR LIGHT CONTROL	Manual/SmartIR/OFF
IR LIGHT NUMBER	1
DAY/NIGHT	Auto (ICR) / Color / B&W
BACKLIGHT COMPENSATION	BLC / HLC / WDR
WHITE BALANCE	Auto/Natural/Street Lamp/Outdoor/Manual/Customized Region
GAIN CONTROL	0~100
WIDE DYNAMIC RANGE	120dB
NOISE REDUCTION	3D DNR
PRIVACY MASKING	Off / On (4 Areas, Rectangle)
MOTION DETECTION	Off / On (4 Zones, Rectangle)
REGION OF INTEREST	Off / On (4 Zones)
LENS	3.6mm, F1.6
ANGLE OF VIEW	H: 84°, V: 45°
VIDEO	
VIDEO COMPRESSION	H.264/H.264B/H.264H/H.265/Smart Codec/MJPEG (Sub Stream)
RESOLUTION	4M (2688 × 1520); 3M (2304 × 1296); 1080p (1920 × 1080); 1.3M (1280 × 960); 720p (1280 × 720); D1 (704 × 576/704 × 480); VGA (640 × 480); CIF (352 × 288/352 × 240)
FRAME RATE	Main Stream: 2688 × 1520 / 2304 × 1296 / 1920 × 1080 / 1280 × 960 / 1280 × 720 @ (1 ~ 25/30fps) Sub Stream: 704 × 576 / 640 × 480 / 352 × 288 @ (1 ~ 25fps); 704 × 480 / 640 × 480 / 352 × 240 @ (1 ~ 30fps) Third Stream: 1280 × 720 / 704 × 576 / 640 × 480 @ (1 ~ 25fps); 1280 × 720 / 704 × 480 / 640 × 480 @ (1 ~ 30 fps)
BIT RATE CONTROL	CBR/VBR
BIT RATE	H.264: 32 kbps~8192 kbps H.265: 32 kbps~8192 kbps
INTERFACE	
AUDIO	1 in; 1 out
ALARM input/output	1 in; 1 out

NETWORK	
ETHERNET	RJ-45 (10/100Base-T)
SUPPORTED WEB BROWSERS	Internet Explorer (11.0+)
SUPPORTED OS	Windows® 7 32-bit/64-bit; Windows® 10 32-bit/64-bit
PROTOCOLS*	HTTP; HTTPS; TCP; ARP; RTSP; RTP; RTCP; UDP; SMTP; DHCP; DNS; PPPoE; IPv4/v6; QoS; UPnP; NTP; Bonjour; IEEE 802.1x; Multicast; ICMP; IGMP; TLS
INTEROPERABILITY	ONVIF Profile S/G/Q
MAXIMUM USERS ACCESS	20 Users
SECURITY	User account and password protection HTTPS, IP Filter, Digest authentication, User access log, TLS1.2 only, AES-128/256, SSH/Telnet closed, sFTP by default, PCIDSS compliance
EVENT	No SD card, SD card error, Capacity warning, Network disconnection, IP conflict, Illegal access
MICRO SD	Up to 128 GB microSDHC card, Class 10 (not included)
ANALYTICS	
VIDEO ANALYTICS	Motion Detection, Video Tamper, Scene Change, Smart Motion Detection, Smart Tripwire, Smart Intrusion, Face Detection
ELECTRICAL	
POWER SUPPLY	DC12V PoE (802.3af)(Class 0)
POWER CONSUMPTION	<5.4W
MECHANICAL	
DIMENSIONS	192.7 mm × 70.5 mm × 66.4 mm
PRODUCT WEIGHT	0.59kg (1.3lb)
PACKAGE WEIGHT	0.78kg (1.7b)
CONSTRUCTION	Die-cast aluminum housing with powder coat
CONSTRUCTION COLOR	RAL 9003 (White)
ENVIRONMENTAL	
OPERATING TEMPERATURE	-40° C ~ 60° C (-40 F ~ 140° F)
RELATIVE HUMIDITY	Less than 95%, non-condensing
INGRESS PROTECTION	IP66
REGULATORY	
EMISSIONS	FCC Part 15B, EN 55032
IMMUNITY	EN 50130-4
SAFETY	UL 60950-1, EN 62368-1
ROHS	EN 50581

* Some development may be required in specific user cases to support some of these protocols in the field as they mature over time.

Network WDR 4MP IR Bullet Camera

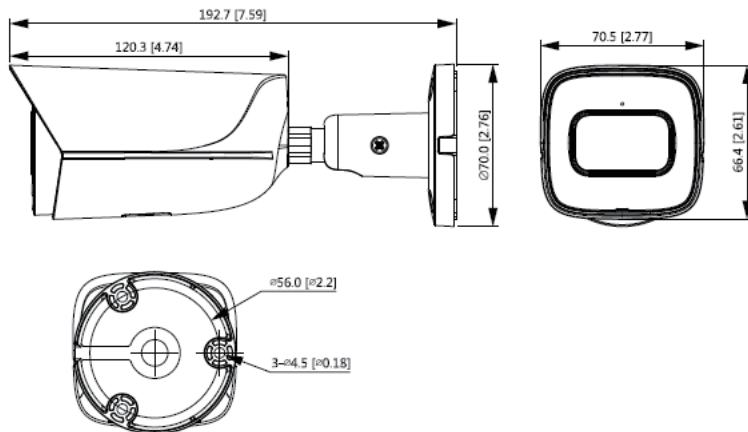
RECOMMENDED ACCESSORIES

SYSTEM COMPATIBILITY		MOUNTS AND ACCESSORIES	
HEN*4	8/16/32/64-channel Performance Series 4K NVRs (H.264 and H.265)	HB34S2-CM	 Corner Mount Adapter
HEN*3	4/8/16/32-channel Performance Series 4K NVRs (H.264 and H.265)	HQA-PM2	 Pole Mount Adapter
		HBS2-BB	 Junction Box

ORDERING

HBW4PER1V	Network WDR 4MP IR Bullet Camera, 1/3.0" CMOS, 3.6mm Motorized, 1IR LEDs, PoE, IP66, H.265/H.264/Smart Codec
-----------	--

DIMENSIONS



For more information, please contact:

buildings.asean@honeywell.com

Malaysia (ASEAN Headquarters)

Honeywell International Sdn. Bhd.
 Level 25, UOA Corp Tower B, Avenue 10
 The Vertical, Bangsar South City,
 59200, Kuala Lumpur, Malaysia
www.honeywell.com

ONVIF and the ONVIF logo are trademarks of ONVIF Inc.
 Honeywell reserves the right, without notification, to make changes in product design or specifications.

HSV-HBW4PER1V-01-US(0321)DS-Y
 © 2021 Honeywell International Inc.

Honeywell