

PERFORMANCE SERIES HBW4PER2K



Network WDR 4MP IR Bullet Camera



OPERATIONAL

Video Standard	NTSC / PAL
Scanning System	Progressive scan
Image Sensor	1/3" 4 MP CMOS
Number Of Pixels (H x V)	2688mm x 1520mm (105.8" x 59.8")
Minimum Illumination	0.03 lux color @ F1.4 (Color, 1/3s, 30 IRE) 0 lux B / W with IR LEDs on @ F1.4
S/N Ratio	More Than 45db
Speed	1 / 3 (4) - 1 / 100,000 s
IR Distance	Up to 164 ft (50 m), depending on scene reflectance
Smart IR	Auto / Manual
Day/Night	Auto(ICR) / Color / B&W
Backlight Compensation	BLC / HLC / WDR (120 dB)
White Balance	Auto / Natural / Street Lamp / Outdoor / Manual
Gain Control	Auto / Manual
Wide Dynamic Range	True WDR (120 dB)
Noise Reduction	3D DNR
Privacy Masking	Up to 4 configurable zones
Motion Detection	Up to 4 configurable zones
Region Of Interest	Up to 4 configurable zones
Digital Zoom	16x
Lens	2.7mm ~ 13.5 mm, MFZ, F1.4
Angle Of View	H:108°~28°, V:55°~16°

VIDEO

Video Compression	H.265+ / H.265 / H.264+ / H.264
Resolution	4 MP (2688 x 1520), QHD (2560 x 1440), 3 MP (2304 x 1296), 1080P (1920 x 1080), SXGA (1280 x 1024), 1.3 MP (1280 x 960), 720P (1280 x 720), D1 (704 x 576/704 x 480), VGA (640 x 480), CIF (352x288/352 x 240)
Frame Rate	4 MP at 1 - 20fps, 3 MP at 1 - 25/30fps D1/CIF at 1 - 25/30fps
Bit Rate Control	CBR/VBR
Bit Rate	H.265: 12k ~ 6400kbps H.264: 32k ~ 10240kbps

INTERFACE

Audio In/Out	1 in, 1 out
Alarm In/Out	1 in, 1 out

NETWORK

Ethernet	RJ-45 (10/100Base-T)
Supported Web Browsers	Internet Explorer (11.0+)
Supported Os	Windows® 7 32-bit/64-bit; Windows® 10 32-bit/64-bit
Protocols*	HTTP; HTTPS; TCP; ARP; RTSP; RTP; RTCP; UDP; SMTP; DHCP; DNS; PPPoE; IPv4/v6; QoS; UPnP; NTP; Bonjour; IEEE 802.1x; Multicast; ICMP; IGMP; TLS
Interoperability	ONVIF Profile S/G/Q

Maximum Users Access	20 Users
Security	User account and password protection HTTPS, IP Filter, Digest authentication, User access log, TLS1.2 only, AES-128/256, SSH/Telnet closed, sFTP by default, PCIDSS compliance
Event	No SD card, SD card error, Capacity warning, Network disconnection, IP conflict, Illegal access
Micro SD	Up to 128 GB microSDHC card, Class 10 (not included)

ANALYTICS

Video Analytics	Motion Detection, Video Tamper, Scene Change, Smart Motion Detection, Smart Tripwire, Smart Intrusion, Face Detection
-----------------	---

ELECTRICAL

Power Supply	DC12V PoE (802.3af) (Class 0)
Power Consumption	<11.4W (-ZS)

MECHANICAL

Dimensions (D x D x L)	72mm x 80mm x 212.8mm (2.8" x 3.1" x 8.4")
Product Weight	0.64kg (1.41lb)
Package Weight	0.82kg (1.80lb)
Body Material	Die-cast aluminum housing with powder coat
Construction Color	RAL 9003 (White)

ENVIRONMENTAL

Operating Temperature	-30° C ~ 60° C (-22° F ~ 140° F)
Relative Humidity	Less than 95%, non-condensing
Ingress Protection	IP66

REGULATORY

Emissions	FCC Part 15B, EN 55032
Immunity	EN 50130-4
Safety	UL 60950-1, EN 62368-1
RoHS	EN 50581

Honeywell

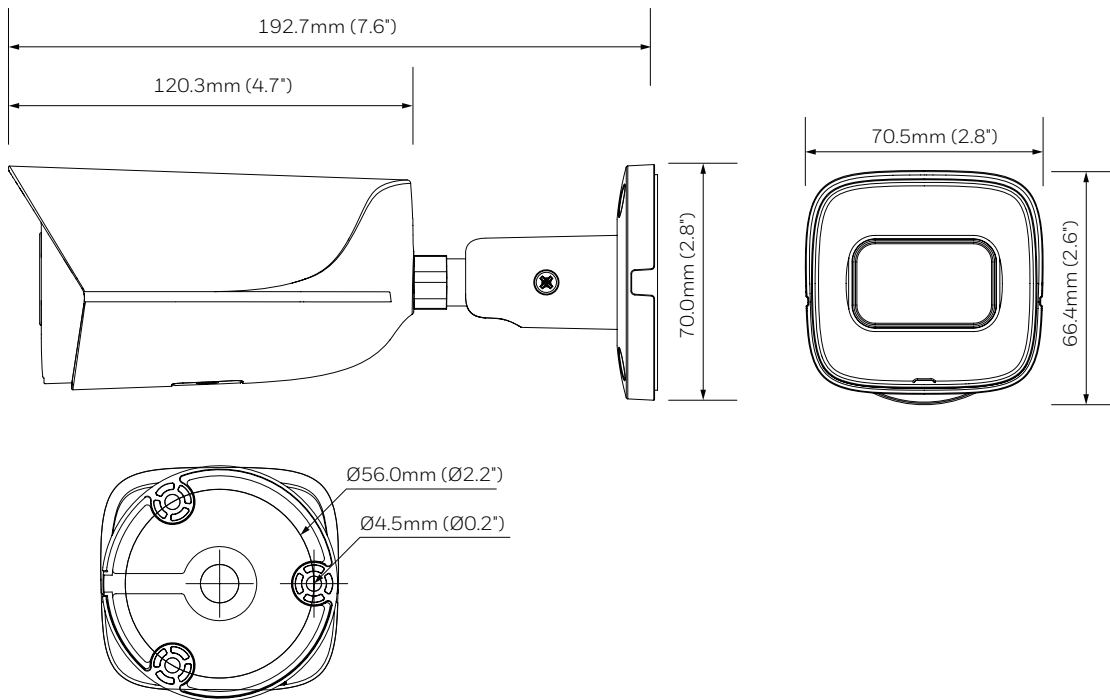
PERFORMANCE SERIES NETWORK WDR 4MP IR BULLET CAMERA

SYSTEM COMPATIBILITY	
HEN*4	8/16/32/64-channel Focus 4K NVRs (H.264/H.265)
HEN*2	4/8/16-channel Performance Series NVRs (H.264)

MOUNTS AND ACCESSORIES		
HB34S2-CM**		Corner Mount Adapter
HQA-PM2**		Pole Mount Adapter
HBS2-BB		Junction Box

ORDERING	
HBW4PER2K	Network WDR 4MP IR Bullet Camera, 1/3.0" CMOS, 2.7mm~13.5mm Motorized, 4 IR LEDs, PoE, IP66, H.265/H.264/Smart Codec, IK10

DIMENSIONS



For more information
buildings.asean@honeywell.com

Malaysia (ASEAN Headquarters)
 Honeywell International Sdn. Bhd.
 Level 25, UOA Corp Tower B, Avenue
 10 The Vertical, Bangsar South City,
 59200, Kuala Lumpur, Malaysia
www.honeywell.com

ONVIF and the ONVIF logo are trademarks of ONVIF Inc. Honeywell reserves the right, without notification, to make changes in product design or specifications.

HSV-HBW4PER2K-01-US(0421DS-Y)
 © 2021 Honeywell International Inc.

Honeywell