

1080P AHD IR Varifocal Lens Cameras

HEL2R2 CCTV Camera (Dome)
HBL2R2 CCTV Camera (Bullet)



About Honeywell Performance AHD

The Honeywell Performance AHD series is designed for small-to-medium scale surveillance applications at a very cost-effective price.

Honeywell's latest product offering includes four types of 1080P HD Analog IR Fixed/Vari-focus eyeball and bullet cameras, and three types of 4/8/16 channel DVR with the no latency 1080P live view.

Featuring advanced Analog High Definition (AHD) video technology, the Performance AHD series HBL2R2 and HEL2R2 are HD analog camera which provide 1080P (1920 X 1080) sharp, high definition images.

The AHD technology ensures real-time and non-compressed signal transmission via coaxial cable, which significantly reduces installation cost and provides much sharper images without video quality loss.



Market opportunities

- The HEL2R2/HBL2R2 cameras are cost effective surveillance solutions suitable for various applications, including schools, colleges, hotels, hospitals, commercial sites, retail stores, warehouses, banks among others.
- Featuring 2.8-12 mm built-in lens, 1080P resolution, TDN function and IR night vision.
- Ideal for easy and cost-effective upgrade of existing analog systems to high definition surveillance.

FEATURES

- 1080p real time live view
- 1/2.7" CMOS progressive scan
- Minimum illumination: 0 Lux (IR on)
- TDN (IR-Cut), AGC, DWDR
- 2.8-12mm Lens
- IR Distance: 30m Dome camera, 40m Bullet camera
- Power:12VDC
- Output: AHD/CVBS

HEL2R2 and HBL2R2 Product features

MODEL	HEL2R2	HBL2R2
SYSTEM		
VIDEO STANDARD	PAL/NTSC	
SCANNING SYSTEM	Progressive	
IMAGE SENSOR	1/2.7" 2Megapixel CMOS	
RESOLUTION	1080P	
NUMBER OF PIXELS	1920(H)×1080(V)	
MINIMUM ILLUMINATION	0.01lux@F1.2, 0 Lux IR on	
VIDEO OUTPUT	AHD, CVBS	
VIDEO FRAME RATE	25 / 30 fps	
SYNC SYSTEM	Internal	
AUTOMATIC ELECTRONIC SHUTTER	1/25 ~ 1/50000	
LENS		
FOCAL LENGTH	2.8 - 12 mm	
ANGLE OF VIEW	H: 102°34	
LENS TYPE	Manual	
CAMERA FEATURES		
IR LED'S	24 PCS	30 PCS
IR ILLUMINATION DISTANCE	30m	40m
SNR	More than 50dB	
DAY/NIGHT	Auto	
AUTOMATIC GAIN CONTROL	Auto	
WHITE BALANCE	Manual	
DIGITAL NOISE REDUCTION	3DNR	
WDR	DWDR	
OSD	Yes	
ELECTRICAL		
INPUT VOLTAGE	DC12V±10%, 700mA	
POWER CONSUMPTION	Max 7W	
MECHANICAL		
DIMENSIONS	250(W)×90(H)×90(D)mm	∅131 x 93(H) mm
WEIGHT	1.4Kg	0.8Kg
DIMENSIONS(W×D×H)	METAL	
CONSTRUCTION		
OPERATING TEMPERATURE	-10°C to +50°C	
RELATIVE HUMIDITY	10% to 95%, non-condensing	
IP RATING	IP 66	
REGULATORY		
CERTIFICATION	CE, FCC	
SYSTEM COMPATIBILITY		
COMPATIBLE DVR	HRLT1040 / 1080 / 1160	

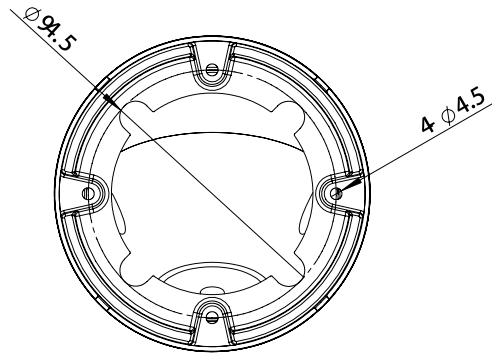
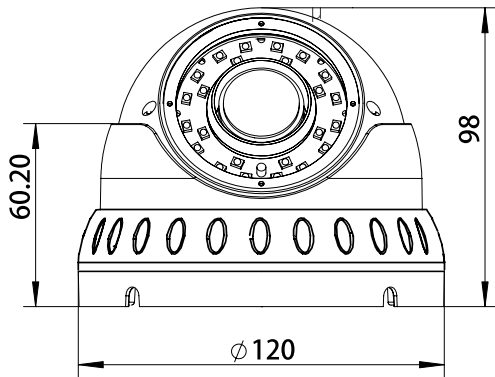
Accessories

NAME	HEL2R2	HBL2R2
CAMERA	1	1
USER GUIDE	1	1

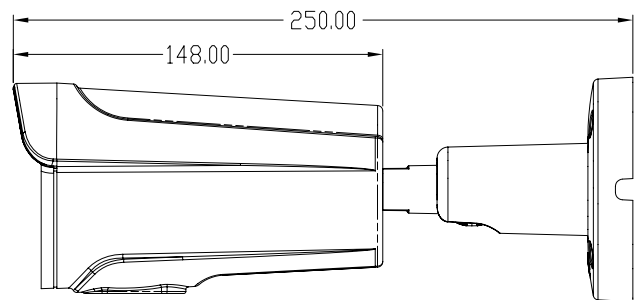
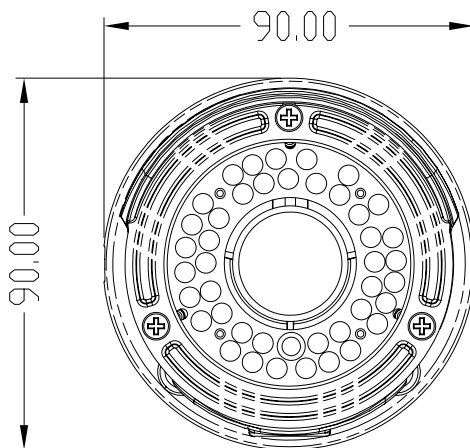
Note: Honeywell reserves the right, without notification, to make changes in product design and/or specifications.

HEL2R2 and HBL2R2 Dimensions

HEL2R2



HBL2R2



ORDERING INFORMATION

HEL2R2	1/2.7" CMOS sensor, 1080p AHD, TDN, DNR, DWDR, 24 LED, 2.8-12mm, IR Dome Camera, 12VDC with OSD, PAL/NTSC
HBL2R2	1/2.7" CMOS sensor, 1080p AHD, TDN, DNR, DWDR, 30 LED, 2.8-12mm, IR Bullet Camera, 12VDC with OSD, PAL/NTSC

For more information, please contact :

Nikhil gupta (Product Marketing Manager - Video)
Email: Nikhil.Gupta3@honeywell.com

APAC AND ASEAN HQ Honeywell Security and Fire

Honeywell Engineering Sdn Bhd
1st Floor, Block B
No. 10, Jalan Bersatu 13/4
46200 Petaling Jaya
Tel: +603 7626 5700

INDIA HQ Honeywell Security and Fire

Honeywell Security & Fire
Unitech Trade Center, 1st Fl, Sector-43, Block-C
Gurgaon 122002 Haryana, India
Tel: +91 124 6715000

KOREA HQ Honeywell Security and Fire

Honeywell Co Ltd (Korea)
Sangam-dong, Sangam IT Tower 5F
434, Worldcupbuk-ro, Mapo-gu, Seoul,
03922 Korea
Tel: +82 2 799 6114

Honeywell Security & Fire (Pacific)

Honeywell Ltd
Unit 5, 24-28 River Rd West
Parramatta
NSW 2250
Tel: +1300 234 234

Honeywell Security & Fire (Pacific)

Honeywell Ltd
9 Columbia Way
Norwest Business Park
BAULKHAM HILLS NSW 2153
Tel: (02) 9899 4155

Honeywell reserves the right, without notification, to make changes in product design or specifications.

HEL2R2, HBL2R2 | 10/16 | Rev 1
© 2016 Honeywell International Inc.

Honeywell